



TAA-101S

Sealed Airborne Antenna Actuator



TAA-101-S shown with model BMA-6-O omni-antenna

> Applications

- Aerial Surveillance and Pursuits
- Disaster Surveys
- Observe Motorcades
- Traffic Reports
- Parades
- News and Sporting Events

> Features

- Deploys below Craft while in Flight
- Sealed Protection against Dust and Debris
- Low Cost
- Light Weight
- 360° Azimuth Coverage
- Quick Installation
- Transmit and Receive Capability
- Stows for Landing
- Fits Existing BMS Skid Mounts and Wiring Harnesses
- Ready for Left or Right Side Skid Mounting

> Performance

The popular TAA-101 has been improved! The TAA-101S has been designed to perform flawlessly in harsh conditions. This sealed actuator prevents ingress of dust, water, and debris.

The actuator is skid mounted (or can be fixed to the belly of the aircraft) and accepts an omnidirectional antenna that provides 360° of azimuth coverage.

The unit comes standard with breakaway release mechanisms to assure safety if the helicopter lands with the antenna in the deployed mode. Further, a safety wire prevents it from dropping off should the breakaway safety feature activate.

This system can be used with analog or digital microwave transmit systems such as a BMT75/85 Series Transmitter or the Heli-Coder System.



TAA-SM Skid Mount
(Standard and Hi-Lift models shown)

Environmental	
Operating Temperature	-20°C to +55°C
Humidity	Up to 100% RH non-condensing

Power	
Voltage Input	28 ± 4 VDC
Power Consumption	1 A (when deploying or stowing)

Mechanical	
Dimensions	Actuator: 9" x 5" x 2" (22.86 x 12.7 x 5.08 cm) Skid mount: 9" x 3.5" x 4" (22.86 x 8.89 x 10.16 cm) BMA-6-O: 2.5" diameter x 20" (6.35 x 50.8 cm)
Weight: Actuator	6 lbs
Weight: Options	TAA-SM (x) Skid mount: 2 lbs BMA-6-O; Omni-directional antenna: 1 lb

Ordering Information	
TAA-101-S	Antenna actuator with reversible mounting pins and actuator arm
TAA-SM-(xx)	Skid mount selected according to aircraft skid diameter. Contact factory with requirements.
TAA-CTM-(xx)	Cross-Tube Mount, offers other mounting options, substitute for skid mount
TAA-U/D	Up/Down Control Box for Actuator Control when HCP or DLC control panels are not used
Highlift Kit	Raises actuator up to 4" for rough terrain landings
MNT-3	Mounting Bracket to add second antenna and ASA-100 antenna select switch (consult factory)
Installation/Removal Tool Kit	Includes install tool, removal tool, and tool bag.

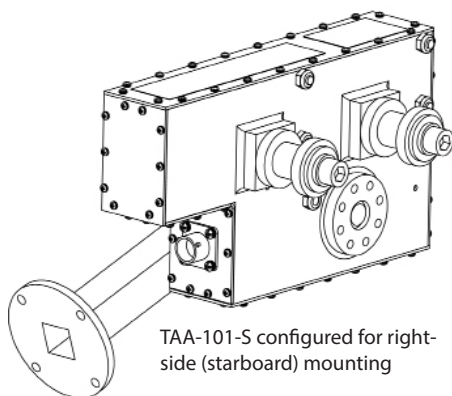
Antenna Options	
Frequency	Models available from 1.7-15 GHz in bands
Polarization	Vertical or RHC
Gain	5-6 dBi (various antenna options available)
AZ Beamwidth	360°
EL Beamwidth	Varies by antenna
Return Loss	≥ 14 dB Typical

Control Panel Options			
Options	HCP-100	HCP-50	TAA-101-UDB
Size	5.75" x 3" x 2.5" (14.6 x 7.62 x 6.35 cm)	5.75" x 1.5" x 3.06" (14.6 x 3.81 x 7.77 cm)	
Weight	1 lb (.45 kg)	1 lb (.45 kg)	

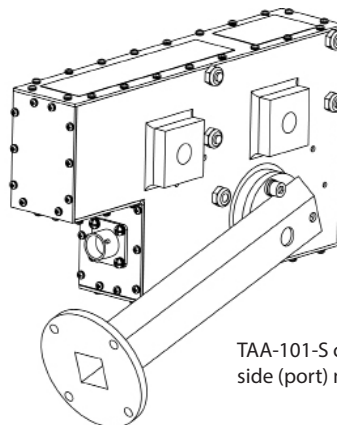
Control Panel		
Model	Size	Weight
DLC50	5.75" x 1.5" x 4.40" (14.06 x 3.81 x 11.18 cm)	14.60 oz (0.42 kg)
HCP-50	5.75" x 1.5" x 3.06" (14.06 x 3.81 x 7.78 cm)	<1 lb (.45 kg)
HCP-100	5.75" x 3" x 2.5" (14.06 x 7.62 x 6.35 cm)	1 lb (.45 kg)



TAA-U/D
Up/Down Box Controller



TAA-101-S configured for right-side (starboard) mounting



TAA-101-S configured for left-side (port) mounting

Broadcast Microwave Services, Inc. | www.bms-inc.com | sales@bms-inc.com

Corporate Headquarters
12305 Crosthwaite Circle | Poway, CA 92064 US
Phone: +1 (858) 391-3050 | Fax: +1 (858) 391-3049

European Sales and Support Office
In Der Au 19 | 61440 Oberursel | Germany
Phone: +49 (0) 6171 7408 224 | Hotline: +49 (0) 177 7288 304

